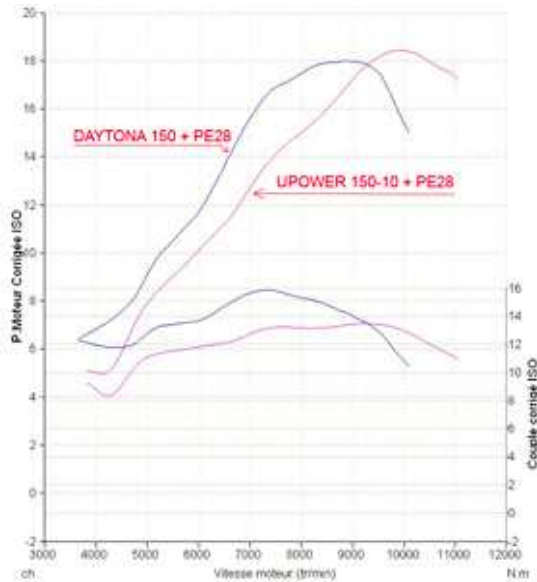


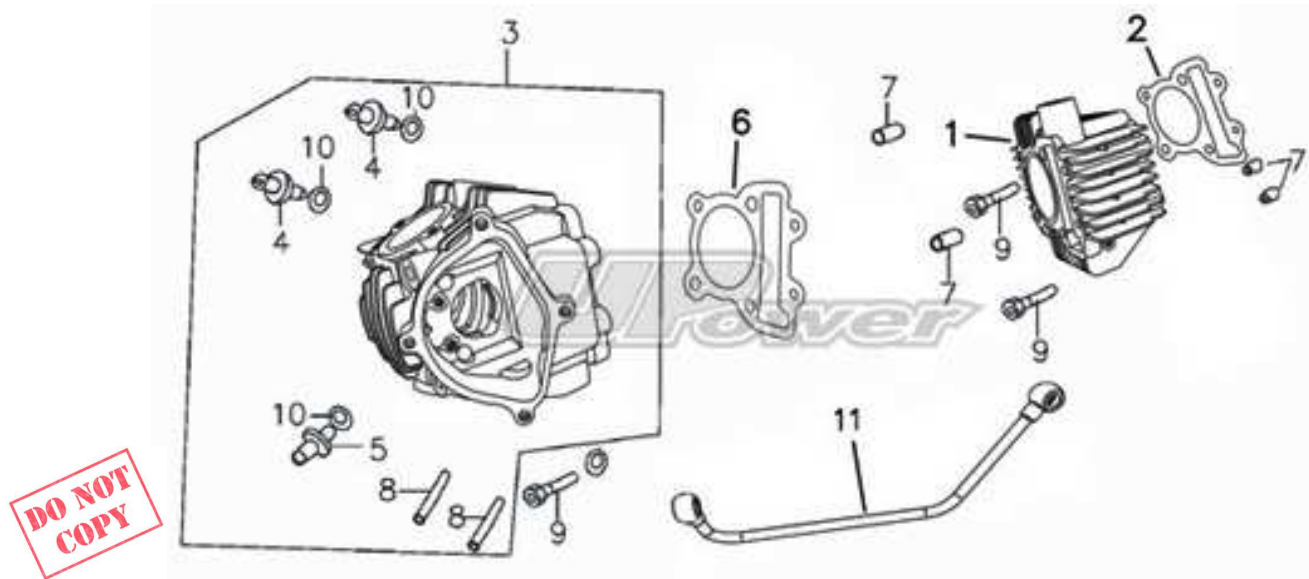
UPower 150

Bore x Stroke
60x53mm
valves clearance
0,05 /0,05 mm



E-1

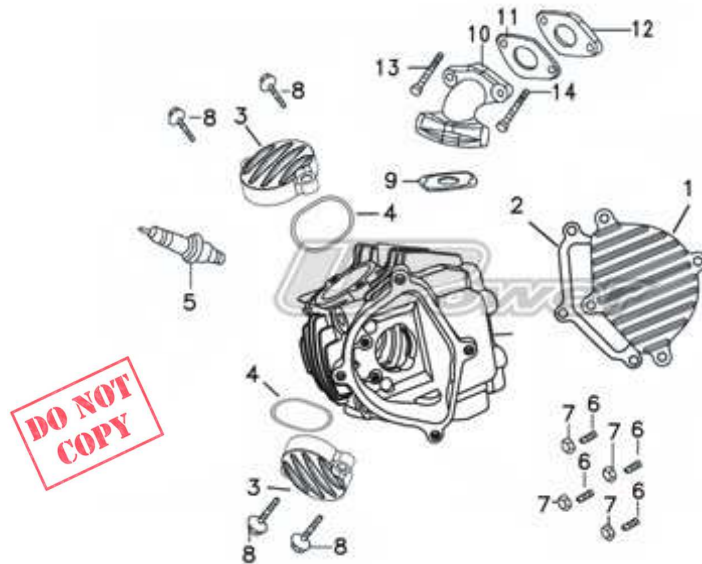
CYLINDER ASSY



Ref.No.	UPower No.	Description	Qty	Remark
1	1890	CYLINDER BODY 60MM BORE	1	
1	3296	CYLINDER BODY 62MM BORE	1	nickasil
1	2103	CYLINDER BODY 65MM BORE	1	nickasil
2	1521	CYLINDER BASE GASKET	1	0,40 thickness
3	2327	CYLINDER HEAD ASSY	1	with valves, camshaft, rockers
3	1889	CYLINDER HEAD	1	
6	1520	CYLINDER HEAD GASKET 60MM	1	0,25mm thickness
6	2394	CYLINDER HEAD GASKET 62MM	1	0,25mm thickness
6	3690	CYLINDER HEAD GASKET 65MM	1	0,25mm thickness
7	3226	ASSEMBLING PIN 10 × 14	2	
8	3516	BOLT M6 x 38	2	
9	ask us	BOLT M6 x 105	2	
10	ask us	O RING	1	
11	ask us	OIL PIPE	1	

E-2

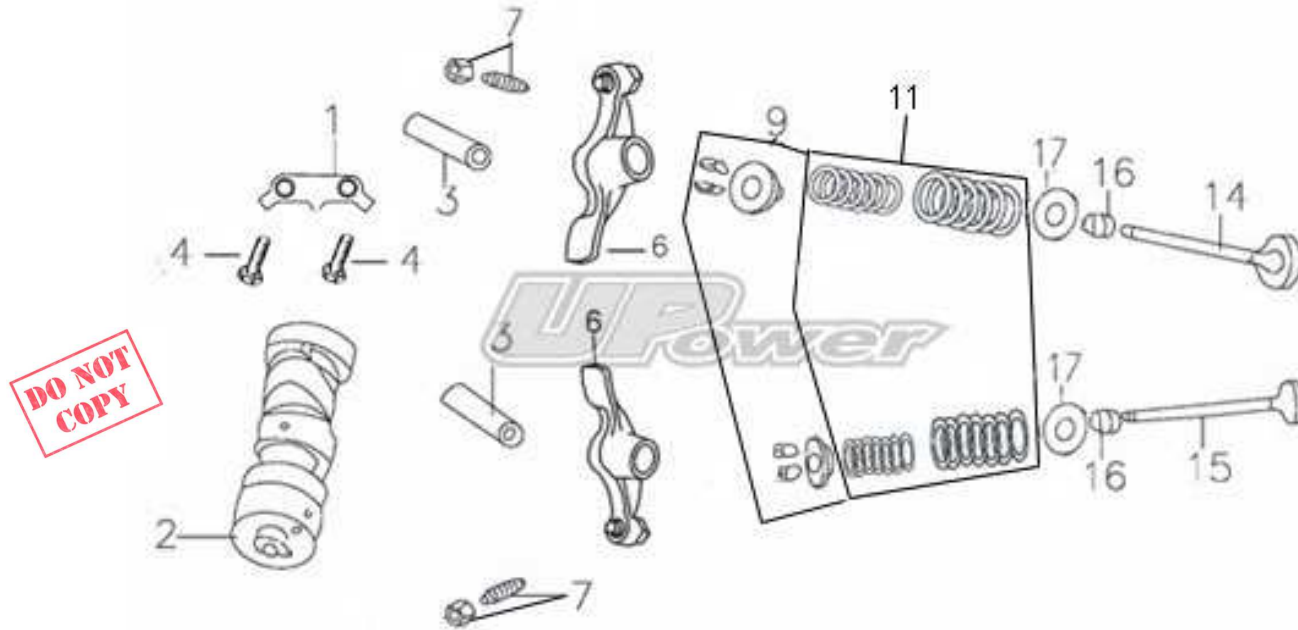
CYLINDER HEAD



Ref.No.	UPower No.	Description	Qty	Remark
1	2387	CYLINDER HEAD LEFT COVER	1	
2	2026	CYLINDER HEAD LEFT COVER GASKET	1	
3	3288	CYLINDER HEAD VALVE COVER	2	
4	2197	CYLINDER HEAD VALVE COVER GASKET	2	
5	6	NGK SPARKING CR8HSA	1	
7	1863	NUT M6	4	
8	3878	SCREW M6 x 18	4	
10	2128	INTAKE PIPE	1	
11	2609	PIPE GASKET	1	
12	2459	HEAT REDUCER	1	
11+12	2459	ISOTHERMAL JOIN HEAD TO PIPE SET	3	
13	2710	SCREW M6 x 30	1	
14	2710	SCREW M6 x 30	1	

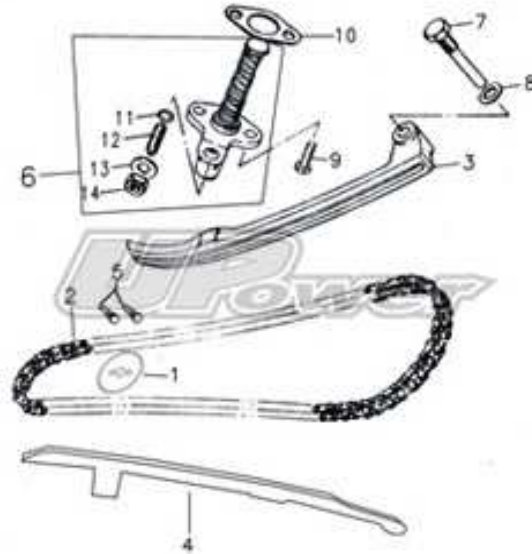
E-3

CAMSHAFT ASSY



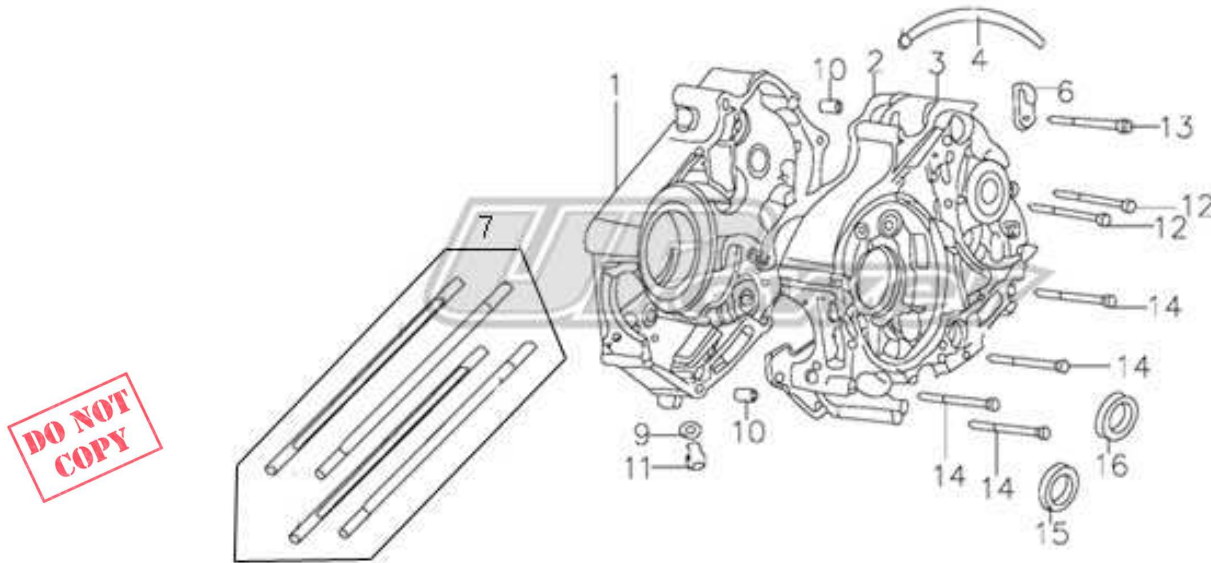
Ref.No.	UPower No.	Description	Qty	Remark
1	ask us	CAMSHAFT FIXING	1	
2	1428	CAMSHAFT	1	
3	2301	ROCKERARM SHAFT	2	
4	ask us	SCREW FHC M6 x 12	2	
6	2298	ROCKER ARM	2	provided with screw and nut
7	2311	VALVE ADJUSTING SCREW WITH NUT	2	
9	2023	VALVE RETAINER SET	2	shorter since 2010
11	3212	SPRING VALVE SET	2	
14	1898	INTAKE VALVE	1	
15	1899	EXHAUST VALVE	1	
16	302	VALVE STEM SEAL	2	
17	ask us	WASHER	2	

E-4

TIME CHAIN

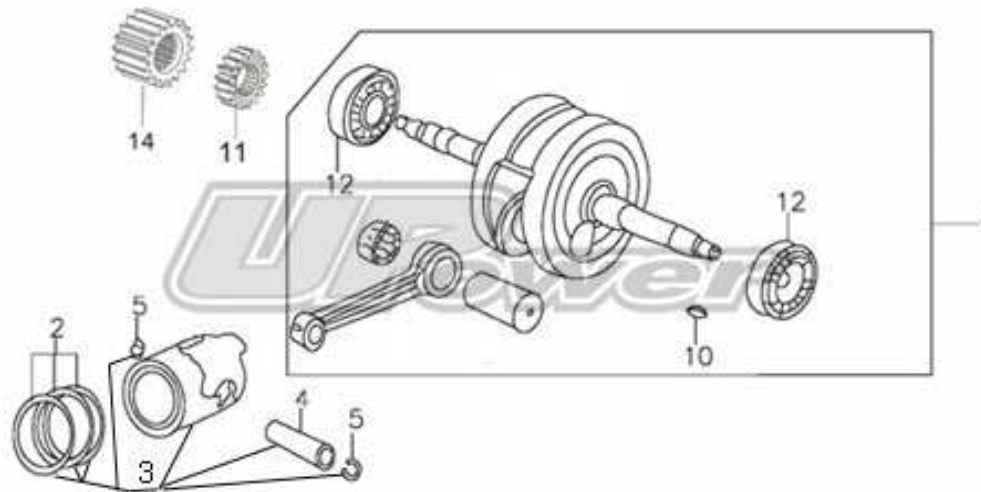
**DO NOT
COPY**

Ref.No.	UPower No.	Description	Qty	Remark
1	2981	TIMING CAMSHAFT SPROCKET -HARDNESS UPGRADED-	1	32 tooth
2	1906	TIMING CAMSHAFT CHAIN	1	90 links
3	1904	CHAIN TENSIONER ARM	1	
4	1905	CHAIN GUIDE ARM	1	
5	2627	CAMSHAFT SPROCKET SCREW M6x12	3	
6	1903	CHAIN TENSIONER SET	1	
7	ask us	FIXING SCREW M8 x 27,5	1	
8	ask us	WASHER 8	1	
9	2852/3599	SCREW M6 x20	2	
10	2748	CHAIN TENSIONER GASKET	1	
11	ask us	O RING	1	
12	ask us	SCREW	1	
13	ask us	WASHER 8	1	
14	ask us	NUT M8	1	



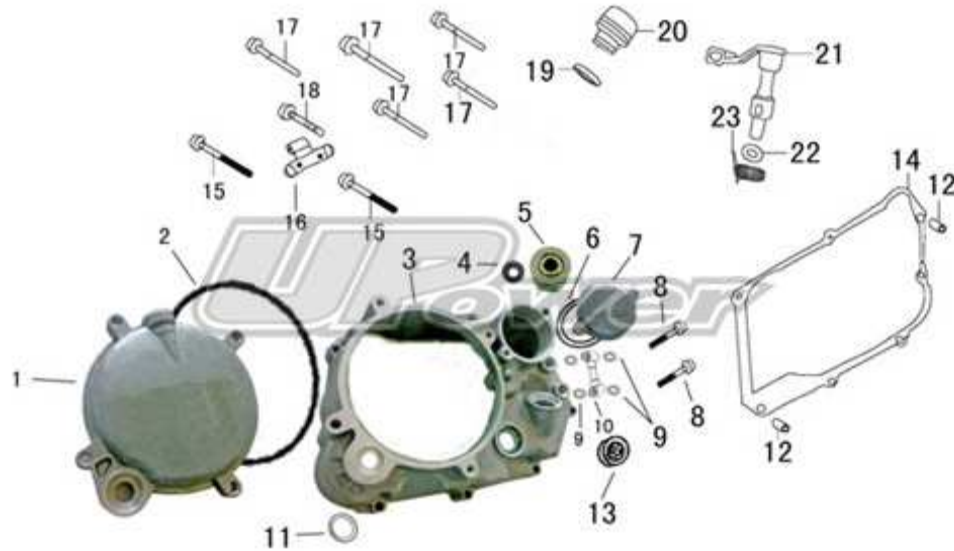
Ref.No.	UPower No.	Description	Qty	Remark
1	2048	RIGHT CRANKCASE	1	for needle bearing since june 2010
2	3663	CRANKCASE GASKET	1	
3	2130	LEFT CRANKCASE	1	
4	ask us	BREATHING TUBE	1	
6	ask us	FIXING	1	
7	ask us	CYLINDER STUD SET	1	
9	430	DRAIN WASHER	1	
10	3226	ASSEMBLING PIN 10x14	2	
11	2665	DRAIN BOLT ALLOY	1	
11	ask us	DRAIN BOLT STEEL	1	
12	ask us	BOLT M6 x 60	2	
13	ask us	BOLT M6 x 50	1	
14	ask us	BOLT M6 x 65	4	
15	212	GEAR SHIFT SHAFT OIL SEAL 11,6x24x10	1	
16	233	COUNTERSHAFT OIL SEAL 17x29x5	1	

E-6

CRANKSHAFT

Ref.No.	UPower No.	Description	Qty	Remark
1	2302	CRANKSHAFT 53mm STROKE	1	150CM3 with 60mm cylinder
1	3299	CRANKSHAFT 57mm STROKE	1	160CM3
2	1571	PISTON RING SET	1	
3	1445	PISTON SET	1	60mm
4	1876	PISTON PIN	1	13mm
5	222	PISTON PIN CLIP	2	
10	1538	SEMICIRCULAR KEY	1	
11	ask us	OIL PUMP DRIVER GEAR	1	
12	ask us	BEARING 63/22	2	56x22x15
14	1891	PRIMARY DRIVER GEAR	1	

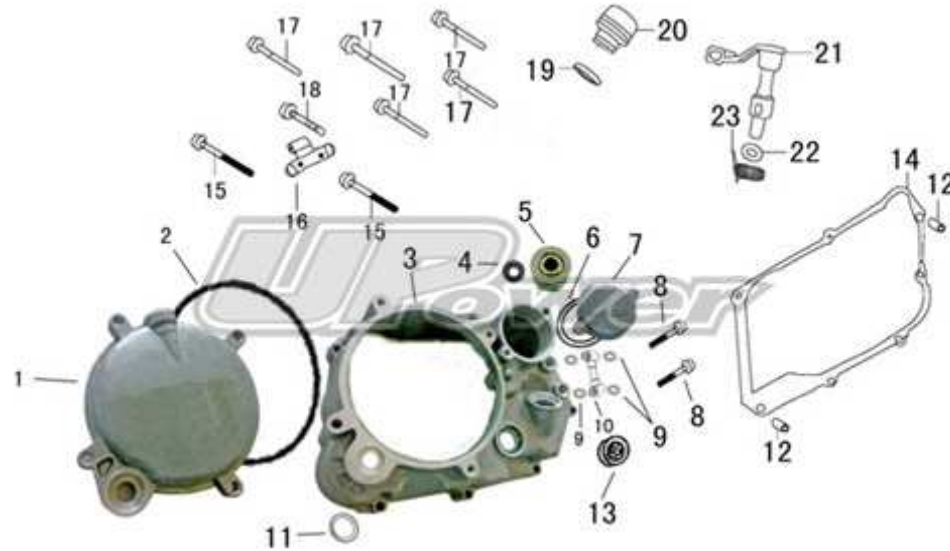
CRANKCASE COVER



DO NOT COPY

Ref.No.	UPower No.	Description	Qty	Remark
1	2616	CLUTCH COVER KICK SHAFT 16mm	1	
2	3248	CLUTCH COVER KICK SHAFT 13,3mm	1	
2	2335	CLUTCH COVER O-RING	1	
3	3502	RIGHT CRANKCASE COVER KICK SHAFT 16mm	1	
3	ask us	RIGHT CRANKCASE COVER KICK SHAFT 13,3mm	1	
4	ask us	OIL FILTER SPRING	1	
5	796	PAPER OIL FILTER	1	
6	2336	OIL FILTER COVER O-RING	1	
7	3397	OIL FILTER COVER	1	
8	ask us	BOLT	2	
9	3427	WASHER 10	4	
10	3082	OIL PIPE	1	
11	ask us	STARTING SHAFT O-RING	1	
12	ask us	PIN	2	
13	3293	OIL LEVEL VIEW GLASS	1	
14	3174	RIGHT CRANKCASE COVER GASKET	1	

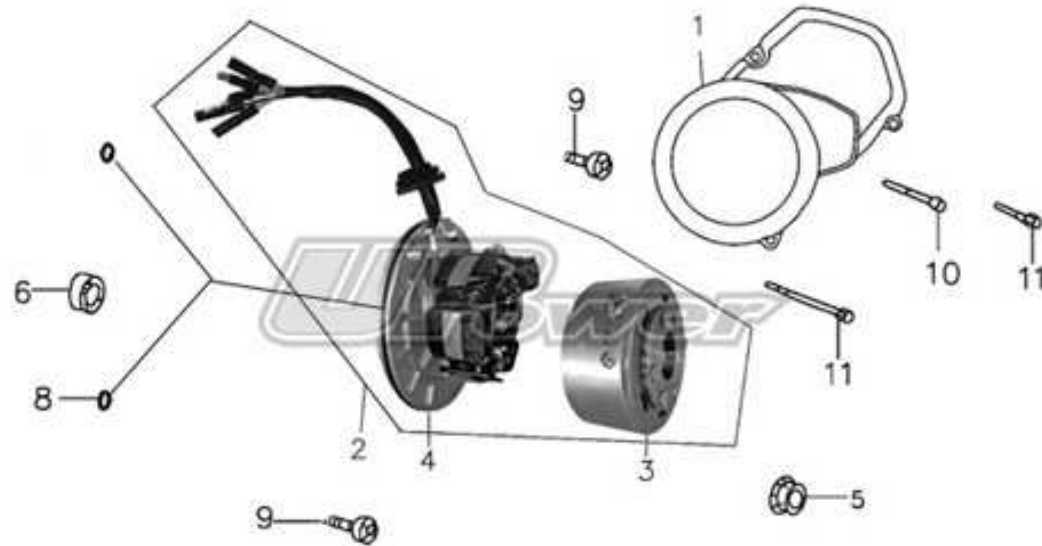
CRANKCASE COVER



**DO NOT
COPY**

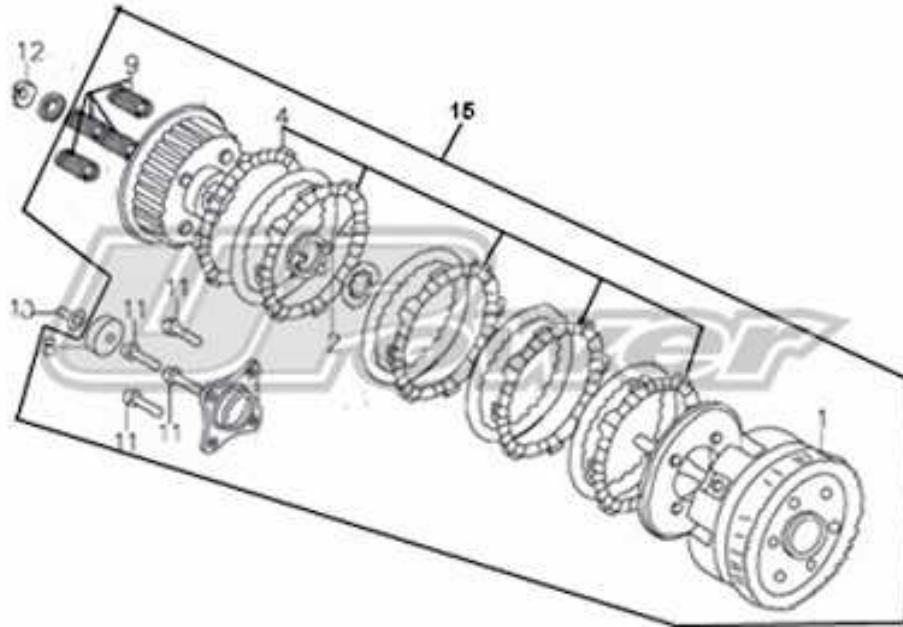
Ref.No.	UPower No.	Description	Qty	Remark
15	ask us	BOLT	2	
16	ask us	CLUTCH CABLE CLIP	1	
17	ask us	BOLT	5	
18	ask us	BOLT	1	
19	ask us	CAP O-RING	1	
20	3530	OIL CAP	1	
21	ask us	CLUTCH CONTROL LEVER	1	
22	ask us	OIL SEAL	1	
23	ask us	CLUTCH LEVER RETURN SPRING	1	

Left Crankcase Cover & Magneto



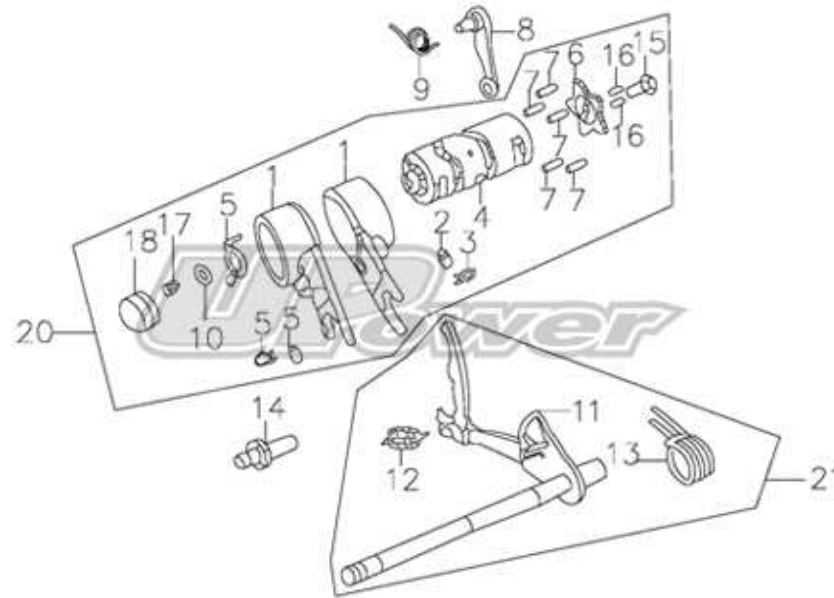
Ref.No.	UPower No.	Description	Qty	Remark
1	2829	LEFT COVER	1	
2	2506	MAGNETO ASSEMBLY WITH LIGHT OUTPUT	1	for MX use
2	2469	MAGNETO ASSEMBLY WITHOUT LIGHT OUTPUT	1	for road use
3	2714	FLYWHEEL	1	
4	2827	STATOR ASSEMBLY WITH LIGHT OUTPUT	1	for road use
4	2412	STATOR ASSEMBLY WITHOUT LIGHT OUTPUT	1	for MX use
5	2483	HEX FLYWHEEL NUT	1	
6	175	OIL SEAL 18,9x30x5	1	
8	176	O-RING STATOR SET	1	2x 6,5x1,8+ 1x106,8x2mm
9	481	BOLT FHC M6x16	2	
10	ask us	BOLT M6 x 28	1	
11	3466	BOLT M6 x 35	2	

CLUTCH COMPONENT PART



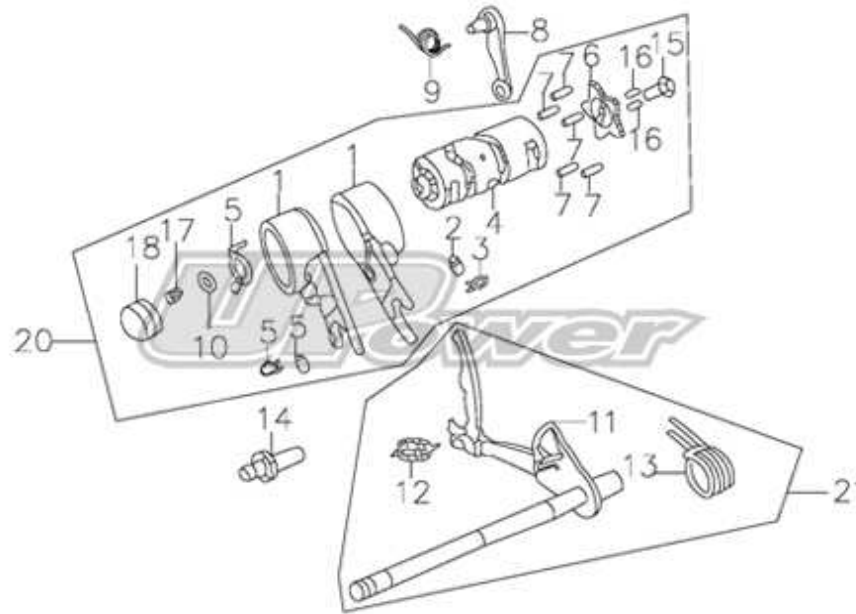
**DO NOT
COPY**

Ref.No.	UPower No.	Description	Qty	Remark
1	756	CLUTCH BASKET	1	
2	808	WASHER TEETHED	1	
3	ask us	CENTRE OF CLUTCH COVER	1	
4	3636	CLUTCH FRICTION DISK SET	1	
8	1887	BEARING 6000	1	
9	1938	CLUTCH SPRING SET	1	
10	631	CLUTCH PUSH ROD	1	
11	2852	BOLT M6x20	4	
12	795	CLUTCH NUT M14x1	1	
14	1887	SHAFT WASHER SET	1	
15	2269	CLUTCH SET ASSEMBLY	2	



**DO NOT
COPY**

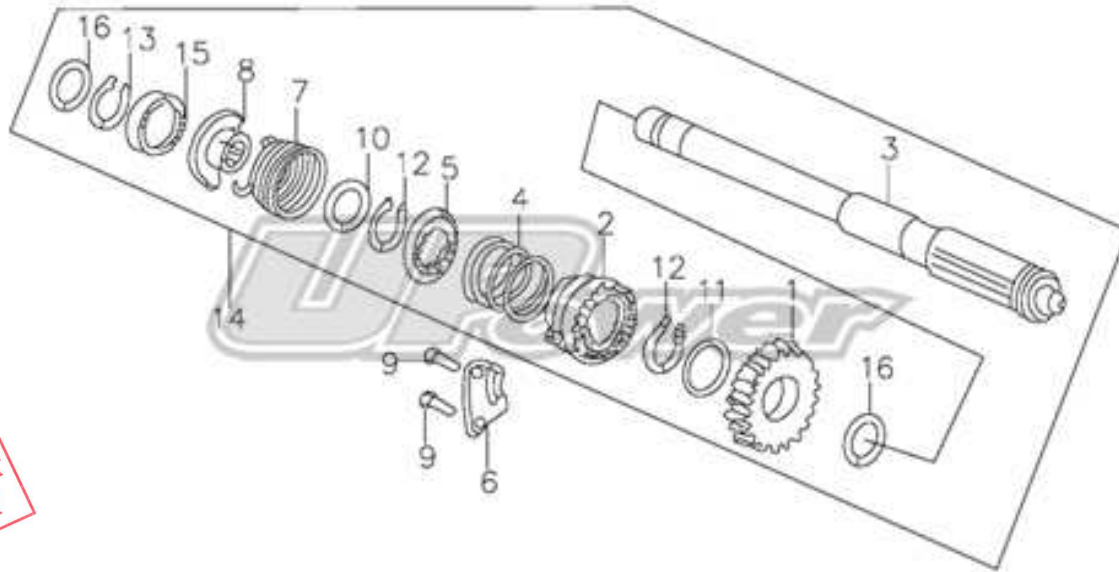
Ref.No.	UPower No.	Description	Qty	Remark
1	1469	GEAR SHIFT FORK	2	
2	ask us	GUIDE PIN	1	
3	ask us	SPRING CLIP	1	
4	ask us	SHIFTING DRUM	1	
5	ask us	NEUTRAL GEAR SWITCH CONTACT	1	
6	ask us	SPEED VARIATOR STRONGBACSTRONGBACK PIN	1	
7	ask us	STRONGBACK PIN BOLT	5	
8	ask us	SPEED VARIATOR STRONGBACK SUBASSEMBLY	1	
9	ask us	STRONGBACK SPRING	1	
10	ask us	WASHER	1	
11	ask us	GEAR SHIFT SHAFT SUBASSEMBLY	1	
12	ask us	SPRING	1	
13	ask us	RETURN SPRING	1	
14	ask us	ASSEMBLING SPING	1	
15	ask us	BOLT WITH SALVER	1	
16	ask us	ASSEMBLING PIN	2	



**DO NOT
COPY**

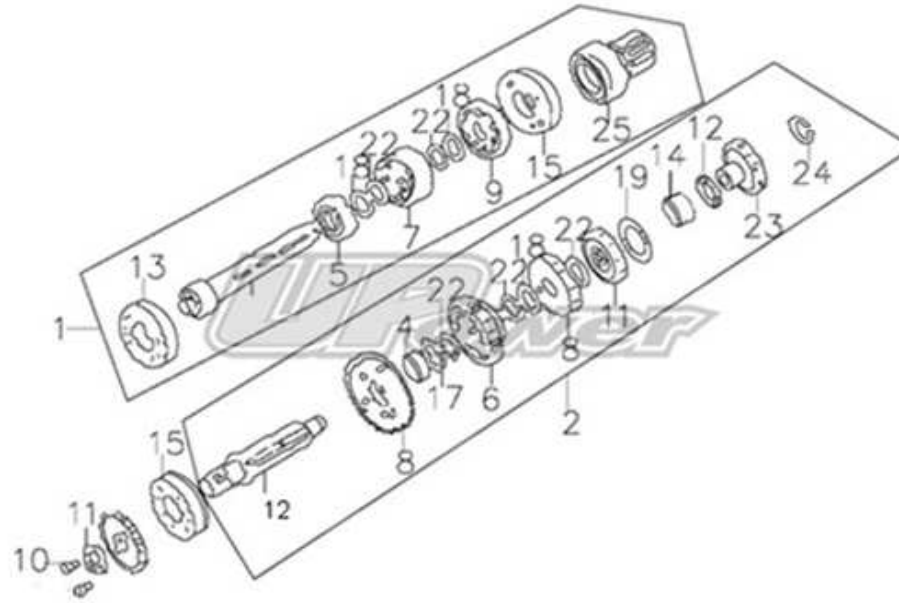
Ref.No.	UPower No.	Description	Qty	Remark
17	ask us	SWITCH PRESSBOARD	1	
18	2382	RUBBER CAP	1	
20	2375	SHIFTING YOKE VARIATOR	1	
21	911	SHIFTING SUBASSEMBLY 145mm	1	
21	1301	SHIFTING SUBASSEMBLY 150mm	1	
21	1717	SHIFTING SUBASSEMBLY 157mm	1	

START SHAFT ASSY

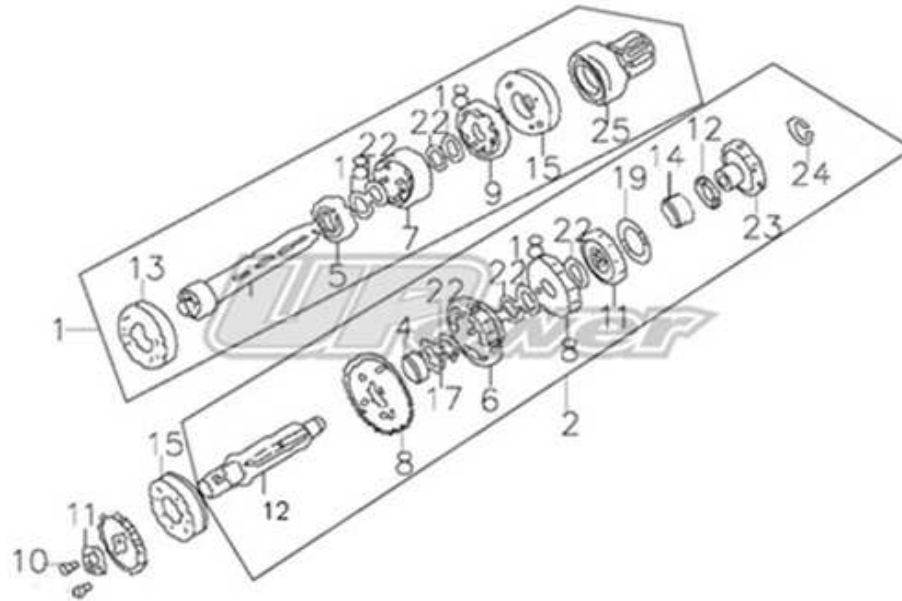


Ref.No.	UPower No.	Description	Qty	Remark
1	1807	START GEAR	1	
2	ask us	STARTING RATCHET WHEEL	1	
3	ask us	STARTING SHAFT	1	
4	ask us	SPRING	1	
5	ask us	RATCHET WHEEL SPRINGS SUPPORTING	1	
6	ask us	RATCHET WHEEL GUIDE RUNNER	1	
7	ask us	STARTING SHAFT RETURN SPRING	1	
8	ask us	STARTING SHAFT SPRING SUPPORTING	1	
9	ask us	BOLT M6 x 18	2	
10	ask us	WASHER	1	
11	ask us	WASHER	2	
12	3664	CLIPS	3	16mm kick shaft
13	ask us	SHIELD RING	1	
14	3128	STARTING SHAFT ASSEMBLY	1	16mm kick shaft
15	ask us	SPRING COVER	1	
16	ask us	WASHER	2	

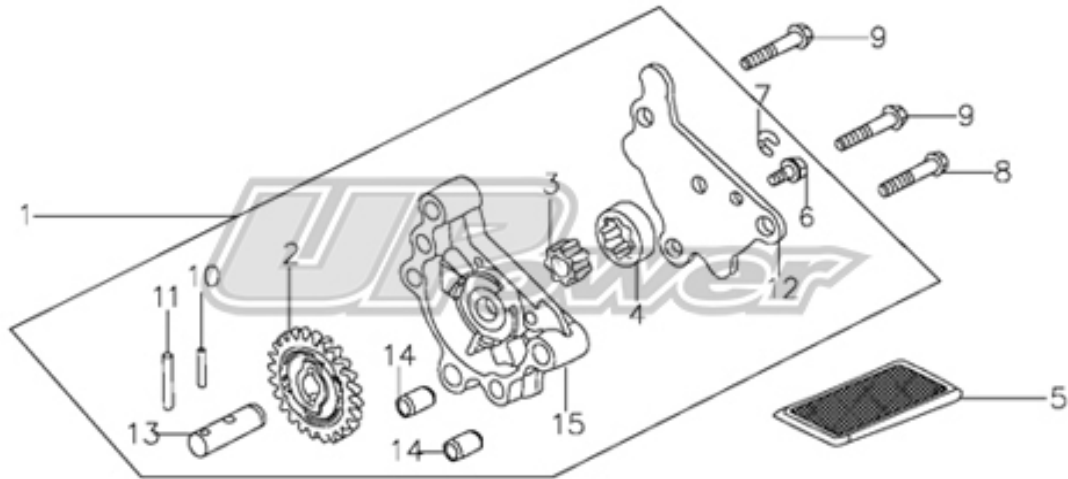
**DO NOT
COPY**



Ref.No.	UPower No.	Description	Qty	Remark
1	2165	TRANSMISSION MAIN SHAFT	1	
2	3144	TRANSMISSION COUNTERSHAFT	1	for needle bearing on right side
4	ask us	GEARED SLEEVE	1	
5	ask us	GEAR WHEEL	1	
6	ask us	SPLINE SHAFT DRIVER GEAR	1	
7	ask us	SPLINE SHAFT MAIN DRIVEN GEAR	1	
8	ask us	GEAR WHEEL	1	
9	ask us	GEAR WHEEL	1	
10	2845	SPROCKET FIXING SCREW M6	2	
11	197	SPROCKET FIXING PLATE	1	
12	3408	COUNTERSHAFT	1	for needle bearing right side
13	ask us	BEARING	1	
14	2299	NEEDLE BEARING	1	



Ref.No.	UPower No.	Description	Qty	Remark
15	1721	BEARING 17x42x12	1	
17	ask us	SPLINE SHAFT WASHER	1	
18	ask us	SPLING SHAFT WASHER	3	
19	ask us	SPLING SHAFT WASHER	2	
22	ask us	SHIELD RING	5	
23	2108	START INTERMEDIATE GEAR THICKNESS 14,5MM	1	after 2009
23	3139	START INTERMEDIATE GEAR THICKNESS 17MM	1	2007/2008/2009
24	3666	SHIELD RING	1	
25	1806	KICK CLUTCH GEAR	1	



Ref.No.	UPower No.	Description	Qty	Remark
1	647	OIL PUMP ASSEMBLY	1	
2	ask us	OIL PUMP DRIVER GEAR	1	
3	ask us	OIL PUMP INNER ROTOR	1	
4	ask us	OIL PUMP OUTER ROTOR	1	
5	ask us	OIL FILTER SUBASSEMBLY	1	
6	ask us	PLATE BOLT	1	
7	ask us	SHIELD RING	1	
8	ask us	BOLT WITH SALVER	1	
9	ask us	BOLT WITH SALVER	2	
10	ask us	PIN BEARING	1	
11	ask us	PIN BEARING	1	
12	ask us	OIL PUMP COVER	1	
13	ask us	OIL PUMP AXIS	1	
14	ask us	ASSEMBLING PIN	2	
15	ask us	OIL PUMP BODY	1	